



Analog clocks

TREND

The TREND clock provides a modern and slim design for indoor applications such as hospitals, offices, schools, universities etc.

TREND clocks are offered in diameters 30 and 40 cm, with or without second hand.

They are available in two different colors, with plastic or metal frame and as single- or double-sided clocks.

Double-sided clocks consist of two single-sided clocks assembled together by a bracket for ceiling or wall-mounting.

Controlled and powered by the two-wire MOBALine or Ethernet/NTP/PoE.

The Ethernet/NTP version of the clock can be administrated and supervised comfortably by the MOBA-NMS (Network Management System.)

TREND - ordering information

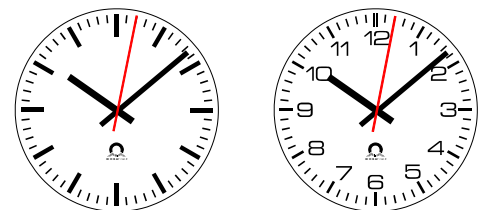
Type	Illumination	Ø	Version (shape)	Movement	Dial	Covering glass	Housing tape
TR	0 = none	30	R1 = single-sided	M40 = MOBALine h/m	200	0 = mineral glass	PO = plastic white* P1 = plastic anthracite** MO = metal white* M1 = metal anthracite** M2 = metal chrome steel color *RAL 9002 **RAL 7016
		40	R2 = double-sided	M41 = MOBALine h/m/s N40 = NTP h/m N41 = NTP h/m/s	210		

Double-sided clock with NTP synchronization:

Only one LAN connection is needed. Double-sided NTP clocks consist of two MOBALine clocks and one Network MOBALine Interface. Full NTP supervision and configuration available.

Order example: TR0.40.R1.M40.200.0.PO

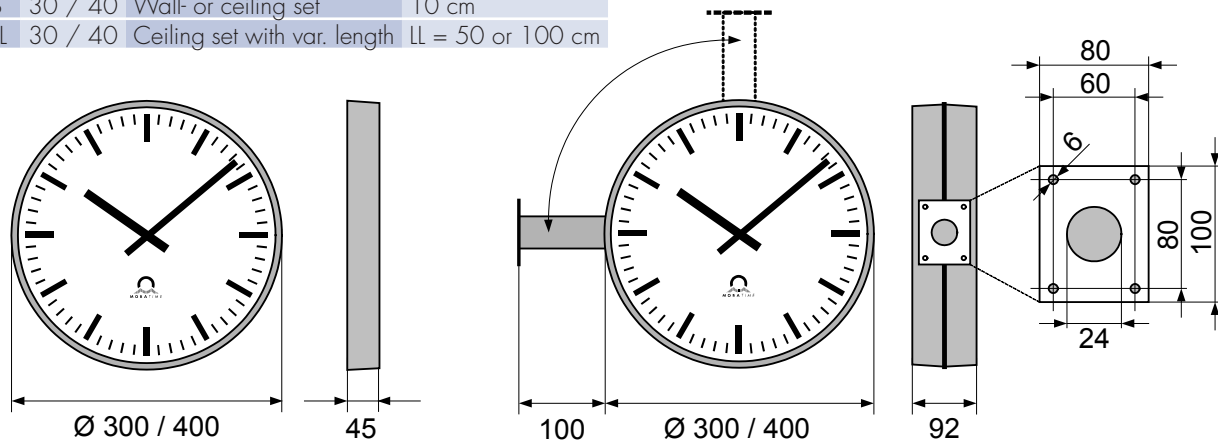
TREND clock, Ø 40 cm, single-sided, MOBALine synchronization and powered, with hour and minute hands dial type 200, mineral glass cover and white plastic case (RAL 9002).



Dial 200

Dial 210

Type	Ø	Description	Bracket length
TR...WS	30 / 40	Wall- or ceiling set	10 cm
TR...DS.LL	30 / 40	Ceiling set with var. length	LL = 50 or 100 cm



Technical data	TREND			
Movement	M40	M41	N40	N41
Synchronization	MOBALine		Network Time Protocol (NTP), UTC	
Supervision and configuration	-		Management Software MOBA-NMS SNMPv2, alarm and alive traps Multicast, Unicast (DHCP) IPv4	
Setting time after restart	< 3 minutes 20 seconds			
Daylight saving time changes	< 15 seconds			
Power supply / consumption	MOBALine: > 10 V, 50 Hz / < 6 mA		PoE, phantom or pins 4,5 / 7,8 (class 1)	
World time	with IF 480 WT (option)		time zone table from time zone server	
Accuracy	typically < +/- 50 ms (synchronized)			
Synchronization loss	Signalization after 24 h by setting hands to 12 o'clock position Deviation typically +/- 2 s after 24 h			
Number of motors	1 (h/min)	2 (h/min + sec)	1 (h/min)	2 (h/min + sec)
Protection degree	IP 40 (mounted)			
Temperature range	-10...+55°C			
Clock weight	850 g		1150 g	
Clock diameter	300 / 400 mm			